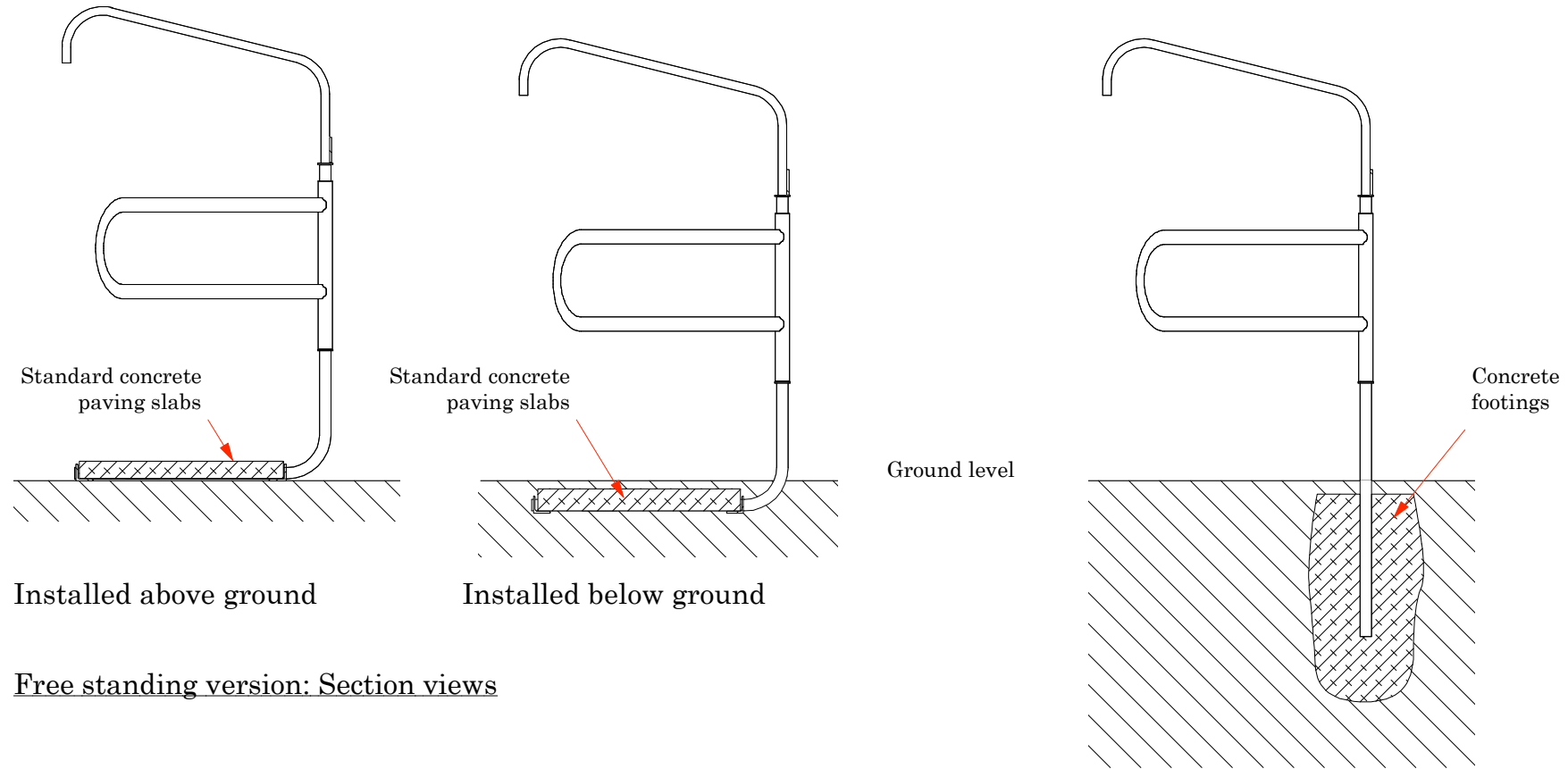


Installation options for BikePort

Cover not shown for clarity

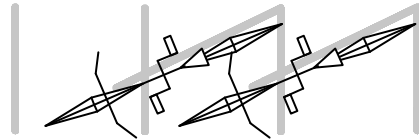


Free standing version: Section views

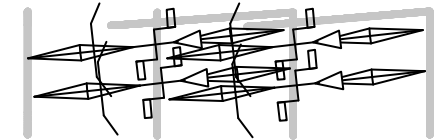
Fully built in version: Section view

Set up options for BikePort

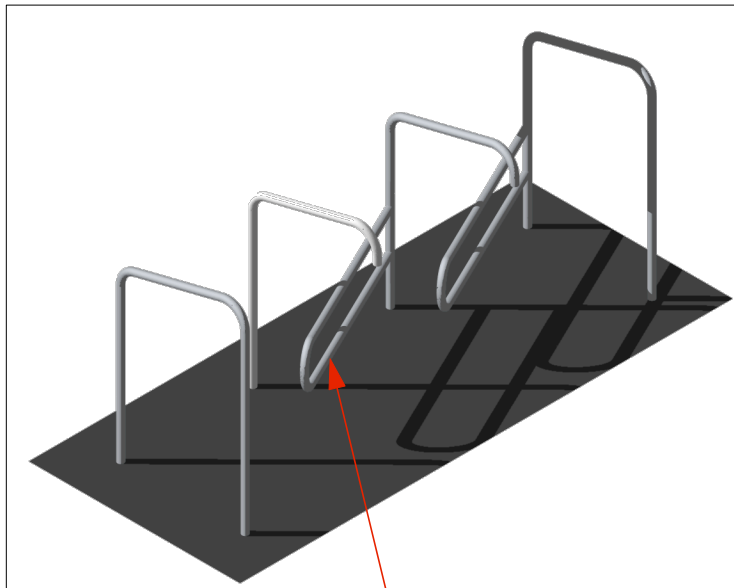
Cover not shown for clarity



Plan view of Parking Option

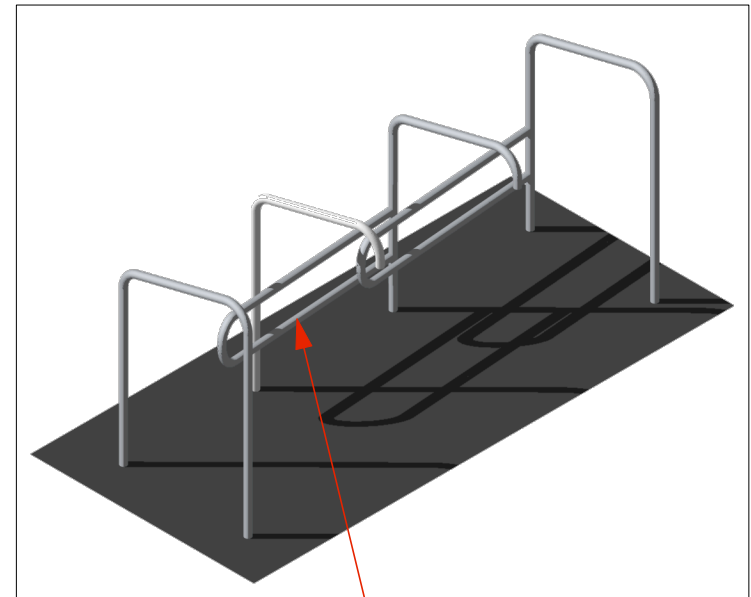


Plan view of Storing Option



Locking frame in normal position to park each bike.

Parking Option



The locking frame can be rotated to the back of the store to allow extra bikes to fit in. To do this a sprung pin is removed and repositioned

Storing Option